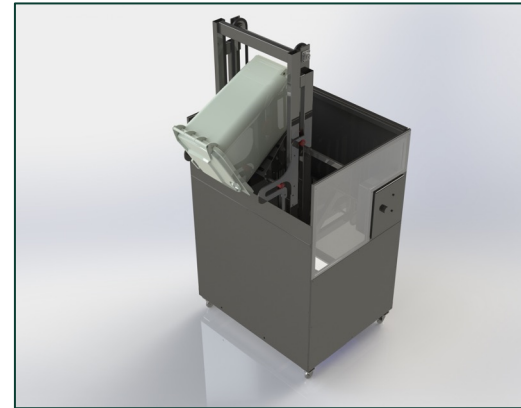


Auxiliary Equipment

BIN LIFTER

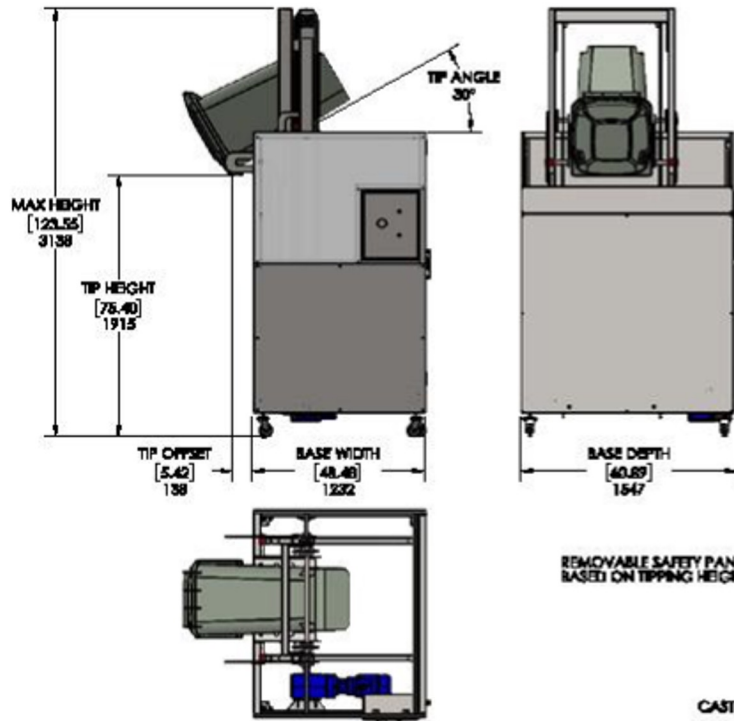
Suitable for:
CX10, CX20

Dimensions



SPECIFICATIONS

COMPATIBILITY	CX10, CX20
HOPPER	1.5T, 3T & 6T
SHREDDER	700L/Hour
BIN SIZES	Cradle to suit Australian Bins From 120L - 240L
MAX WEIGHT CAPACITY	5000 kg
AS STANDARD	Safety Guarding with Auto Stop when Door is open, Locking Castor Wheels
OPTIONS	Slip Tray be added to increase tip offset
DIMENSIONS	Width 1.232m
	Depth 1.547m
HEIGHT	Height 3.138m
TIPPING HEIGHT	Custom
BASED ON 1.5T HOPPER	Height 1.915m
TIP OFFSET	138mm
TIP ANGLE	30°
AU REQUIRED POWER SUPPLY	3 Phase / (415V) / 4A



TIPPING HEIGHT CAN BE SPECIFIED BY CLIENT WITH
MAX HEIGHT = TIP HEIGHT + 1220mm [48]

CRADLE TO SUIT EN840 WHEELIE BINS FROM
120L - 240L

CRADLE TO SUIT ANSI Z245 TYPE B WHEELIE BINS
FROM 48 GALLONS - 64 GALLONS

