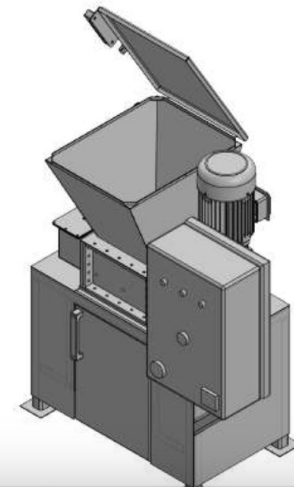
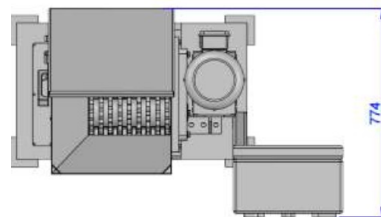
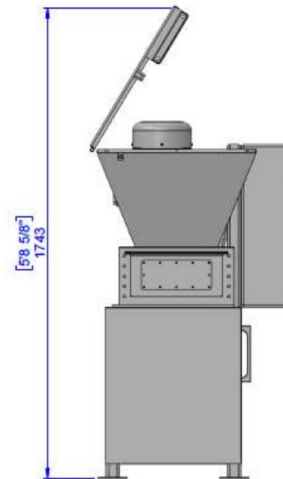
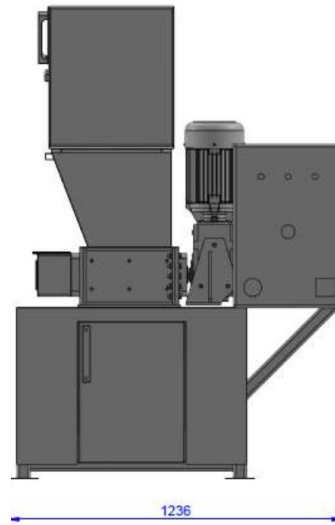


Auxiliary Health & Safety Units

SHREDDER WITH SAFETY CAGE

Suitable for:
CX1, CX2, CX5

Dimensions



SPECIFICATIONS

COMPATIBILITY	CX1, CX2, CX5
MAXIMUM LOAD	25L Bin per load
THROUGHPUT	70L/Hour
AUGUR	Stainless Steel
AS STANDARD	Safety cage with inspection doors/ Auto stop when doors open, reverse cycle in case of jamming
WEIGHT	380 kg
DIMENSIONS	Width 1.236m Depth .774m Height 1.743m
POWER SUPPLY	Powered by digester
MOTOR POWER	2.2 Kw
AU REQUIRED POWER SUPPLY	3 Phase / (415V) / 4A